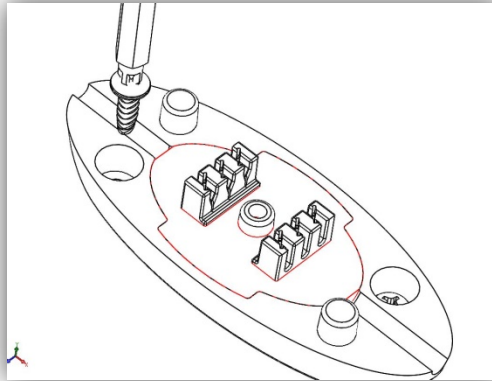
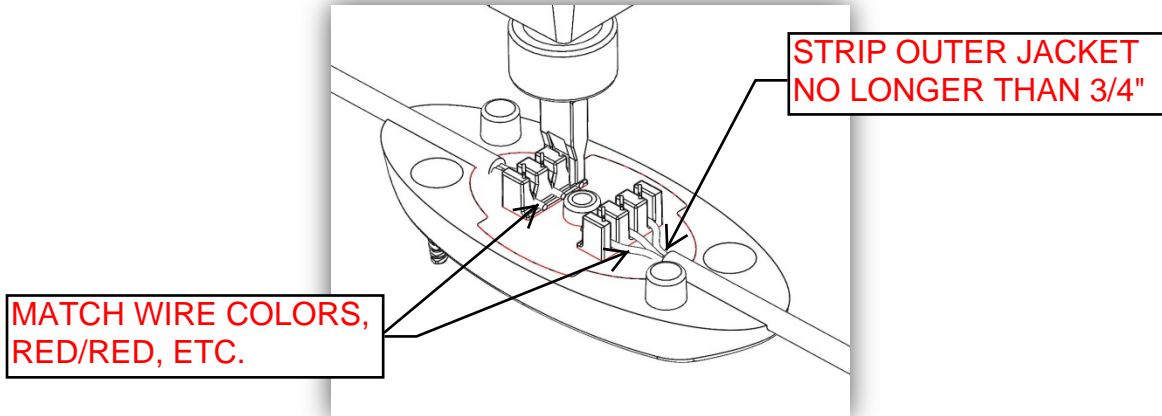


GT SPlice INSTALLATION INSTRUCTIONS 22-24 AWG

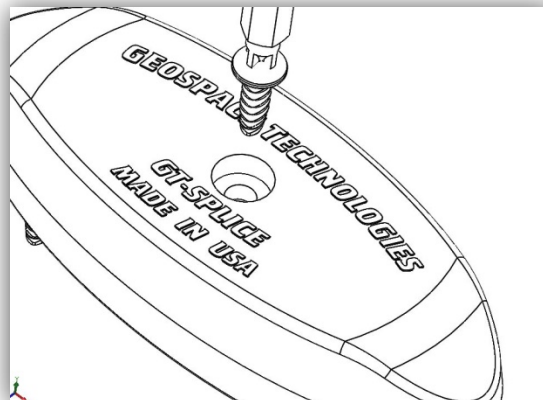
STEP 1 ATTACH SPLICE BLOCK TO MOUNTING SURFACE USING (2) PHILLIPS #8 X ½" SCREWS.



STEP 2 PUNCH IN UN-STRIPPED WIRES USING PUNCH TOOL P/N 195-00404.



STEP 3* SECURE TOP USING (1) PHILLIPS #8 X ½" SCREW.



*NOTE: THE TOP IS ROTATED 180 DEGREES FOR SHIPPING PURPOSES AND WILL NOT CLOSE IN THIS POSITION.